



**CONTROL
INSTRUMENTS**
AUTOMOTIVE

Fuel Pumps



INDEX

	<u>PAGE</u>
<u>INSTALLATION INSTRUCTIONS</u>	2
<u>APPLICATION GUIDE</u>	
AUDI	5
AUSTIN (see Leyland)	
BMW	5
CHEVROLET	5
CHRYSLER	5
COLT	5
DAIHATSU	5
DODGE	5
FIAT	5
FORD	7-9
HONDA	9
ISUZU	9
LAND ROVER	9
LEYLAND	9
MAZDA	9-11
MERCEDES	11
MITSUBISHI (see also Colt)	11
NISSAN	11-13
OPEL	13-15
PEUGEOT	15
RENAULT	15
TOYOTA	15-17
VOLKSWAGEN	17
<u>ELECTRIC FUEL PUMPS</u>	20
<u>FUEL FILTERS</u>	20
<u>FUEL LINE HOSE</u>	20
<u>BUYERS GUIDE</u>	22-26
<u>CROSS REFERENCE</u>	
FEDERAL MOGUL	27
NPD	27-28

INSTALLATION INSTRUCTIONS

IMPORTANT

PETROL IS A HIGHLY FLAMMABLE LIQUID, THEREFORE EXTREME CAUTION SHOULD BE USED WHEN CHANGING THE FUEL PUMP.

1. DISCONNECT BATTERY EARTH TERMINAL.
2. REMOVE FUEL INLET AND OUTLET CONNECTIONS SLOWLY TO REMOVE ANY RESIDUAL FUEL LINE PRESSURE (HAVE A SUITABLE CONTAINER TO COLLECT ANY FUEL WHICH MAY DRAIN FROM THE FUEL LINES).
3. UNDO AND REMOVE PUMP FIXING NUTS SECURING PUMP BODY.
4. REMOVE GASKET AND SPACER WHERE FITTED.
5. REASSEMBLE NEW PUMP IN REVERSE ORDER USING NEW GASKET(S) SUPPLIED, RE-USING SPACER WHERE FITTED.
6. ON LEVER TYPE MECHANICAL FUEL PUMPS, ENSURE LEVER IS LOCATED ON CORRECT SIDE OF CAM DRIVE.
7. WHERE SCREW THREAD PIPE CONNECTIONS ARE USED, BE CAREFUL OF CROSS THREADING UNIONS. IT IS SOMETIMES EASIER TO ENGAGE THE THREAD OF THE UNION IN THE PUMP BODY BEFORE THE PUMP BODY IS SECURED.
8. TURN OVER ENGINE SEVERAL TIMES, WITH LOW TENSION LEAD ON COIL DISCONNECTED TO PRESSURISE SYSTEM AND CHECK FOR FUEL LEAKS.
9. IF ALL CONNECTIONS ARE FUEL TIGHT, RE-CONNECT COIL AND RUN ENGINE.

VEHICLE APPLICATION SECTION

VEHICLE APPLICATION GUIDE

ALL GOODS MANUFACTURED BY THE COMPANY ARE WARRANTED FOR A PERIOD OF 12 MONTHS FROM DATE OF SUPPLY AGAINST DEFECTS ARISING FROM FAULTY MATERIAL OR WORKMANSHIP.

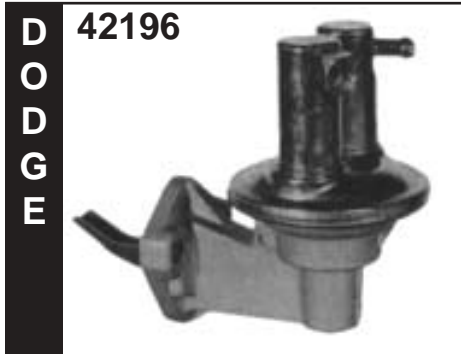
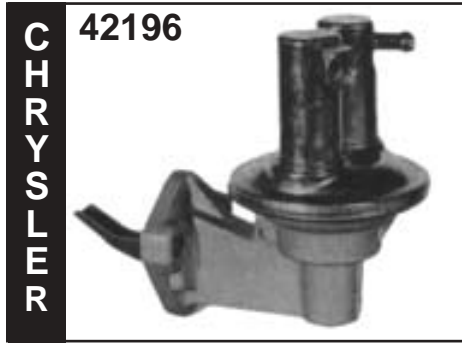
THE WARRANTY IS LIMITED TO THE REPLACEMENT, FREE OF CHARGE, OF PARTS FOUND TO BE DEFECTIVE, IN ACCORDANCE WITH THE COMPANY'S STANDARD TRADING TERMS AND CONDITIONS.

IN NO CIRCUMSTANCES DOES THE COMPANY ACCEPT ANY LIABILITY FOR CONSEQUENTIAL DAMAGE OR LOSS OCCASIONED BY THE USE OF THE PRODUCTS, OR ANY OTHER HOWSOEVER ARISING.




THE PHOTOGRAPHS OR ILLUSTRATIONS IN THIS CATALOGUE ARE INTENDED TO BE REPRESENTATIVE OF THE PARTS OFFERED. CHANGES IN DESIGN FOR TECHNICAL OR MATERIAL REASONS MAY ALTER THE APPEARANCE OF THE PARTS SUPPLIED.

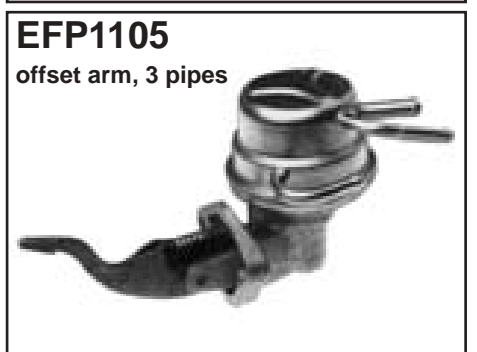
WHILST EVERY CARE HAS BEEN TAKEN IN THE COMPILATION OF THIS CATALOGUE, DANA SOUTH AFRICA (PTY) LIMITED, CANNOT BE HELD LIABLE FOR ANY INACCURACIES, ERRORS OR OMISSIONS.

MANUFACTURERS NAMES AND NUMBERS ARE USED FOR REFERENCE PURPOSES ONLY.





		
<p>AUDI</p> <p>80GL, 1500 GL, GLS, 1600 Super 90 100, 100S, 100L, 100LS 100GL, GLS 100 Mdls 5 cyl., 200 GLX 5E, 500 5 cyl. 400 Series 4 cyl. 1800 cc 400 Series 4 cyl. 1800 cc</p>	<p>1975-76 1976-81 1968-72 1972-77 1973-78 1978-89 1987-88 1989-91</p>	<p>EFP201 EFP201 EFP205 EFP205 EFP205 EFP204 EFP201 EFP208</p>
<p>BMW</p> <p>518, 520 4 cyl. 316 Series 520 6 cyl. M180 Eng.</p>	<p>1975-79 1986-89 1979-82</p>	<p>EFP300 EFP300 EFP301</p>
<p>CHEVROLET</p> <p>4 cyl. 130, 153 Eng. 6 cyl. 250 Eng. Commodore 3.8, 4.1 Eng. Corvette 327 Eng. Corvette 350 Eng. Caprice 350 Eng. Firenza 2.5 Eng. Monaro 350 Eng. Rekord 2.3L Senator 4.1 V8, 327, 348, 409 Eng. V8, 283, 327, 350 Eng.</p>	<p>1967 on 1967 on 1978-82 1968 on 1969 on 1968 on 1971-75 1968 on 1978-81 1979-82 1958-66 1967 on</p>	<p>40446 40446 40446 40658 40658 40658 40446 40658 40446 40446 40018 40503</p>
<p>CHRYSLER</p> <p>Valiant, Rustler</p>	<p>1965 on</p>	<p>42196</p>
<p>COLT</p> <p>Colt 1.6L 4G32 Eng. Colt 2.0L 4G63 Eng. Colt 2600 4 x 4 FWD</p>	<p>1995 on 1995 on 1995 on</p>	<p>EFP1107 EFP1102 EFP1105</p>
<p>DAIHATSU</p> <p>Charade CX, CXL</p>	<p>1983-85</p>	<p>EFP400</p>
<p>DODGE</p> <p>D100, D200</p>	<p>1965 on</p>	<p>42196</p>





<p>FIAT</p> <p>128 1100,1300, 128 Rally Uno Fire 1100, Panel Van Pacer 1400</p>	<p>1971-84 1990 on 1990 on</p>	<p>EFP500 EFP501 EFP502</p>
<p>FORD</p> <p>Anglia 1000,1200 Bantam 1300 FWD 1300 B3 Eng. 1400 CVH Eng. 1400 CVH Eng. 1600 CVH Eng. 1600 CVH Eng. 1600 F6 Eng. Capri 1600 3000 V6 Perana 302 V8 Eng. Cortina 1200,1300,1500,1600 MKIII 1600 2000 OHC 2500,3000 V6 Courier 1600 F6 Eng. 1600 F6 Eng. 2000 FE Eng. 2000 FE Eng. 3000 V6 D Series & Thames Escort 1000,1300,1600 1300L, 1600L & Sport 1300, 1600, XR3 FWD RS 2000 ohc 4 cyl. F100 F100 240 6 cyl. F100, F250, 240 6 cyl. Eng. F250, 300 6 cyl. Eng. F350, 300 6 cyl. Eng. Fairlane 289,302 V8 Eng. Fairmont 223 Eng. Granada 2000 OHC 3000 V6 Husky 1800 4G62 Eng. 2000 4G63 Eng. Laser 1.3 L ohc E3 Eng. 1.3 Tracer 1400L CVH Eng. 1.5 GL, GLS E5 Eng. 1600 GL & Sport CVH Eng. Meteor 1.3 GL E3 Eng.</p>	<p>1965-69 1983 on 1993 on 1986-89 1990-94 1985-89 1990-93 1993 on 1969-73 1970-73 1971-73 1965 on 1971-83 1972-80 1972-80 1986-87 1988-91 1986-87 1988-91 1986 on 1952 on 1968-77 1978-81 1983-86 1978-80 1963 on 1966-69 1970-72 1972 on 1974 on 1966-68 1963-65 1978-85 1973-80 1985-87 1986-93 1986-89 1995 on 1990-92 1986-89 1989-92 1986-89</p>	<p>EFP602 EFP602 EFP907 EFP601 EFP606 EFP601 EFP606 EFP904 EFP602 QFP86 41119 EFP602 EFP602 EFP601 QFP86 EFP904 EFP906 EFP904 EFP906 QFP86 EFP607 EFP602 EFP602 EFP601 EFP601 6837 40957 EFP600 41349 41349 41119 6837 EFP601 QFP86 EFP1102 EFP1102 EFP905 EFP907 EFP606 EFP905 EFP606 EFP905</p>





<p>FORD</p> <p>Meteor 1.3 Tracer 1400 LX CVH Eng. 1.5 GLS E5 Eng. 1600 GL CVH Eng. 1600 GLE</p> <p>Sapphire 1.6L 2000 3.0L</p> <p>Sierra 1.6GL 2000 OHC 4 cyl. 2.3 GLE German Eng. 3000</p> <p>Triton 0510 Series 4G54 Eng. 0610 Series 4G54 Eng.</p> <p>V8 351 Cleveland Eng. V8 351 Windsor Eng.</p>	<p>1995 on 1989-92 1986-89 1989-92 1989-92 1989-91 1989-93 1984-93 1983-89 1983-93 1983-86 1984-93 1985-86 1987-94 1968-73 1970-73</p>	<p>EFP907 EFP606 EFP905 EFP606 EFP606 EFP602 EFP601 QFP86 EFP602 EFP601 EFP605 QFP86 EFP1105 EFP1105 41449 41119</p>
<p>HONDA</p> <p>Ballade 1300 FWD 130, 150 150 16v, Encore, Luxline SOHC (Carb Mdl.)</p>	<p>1982-85 1986-88 1989 on</p>	<p>EFP701 EFP700 EFP702</p>
<p>ISUZU</p> <p>KB21, 23, 26, 28, 1600, 1800, 2000 G161Z, 180Z, 200Z KB24LE, KB44, KB44LE 29 2.3L, 4ZD1 Petrol Eng. KB160 Fleetside 4ZA1 Eng. KB200LE, 4ZC1 Eng. KB230 4ZD1 Eng. KB230 (4 x 4) Pickup 4ZD1 Eng. KB260LE, KB260 4ZE1 Eng.</p>	<p>1982-89 1987-89 1989-94 1994 on 1989 on 1989-92 1992 on</p>	<p>EFP800 EFP801 EFP801 EFP801 EFP801 EFP801 EFP801 EFP801</p>
<p>LAND ROVER</p> <p>88,109 2.25 Petrol Series III 2.6 6 cyl. Petrol</p>	<p>1965-77 1981-87</p>	<p>QFP93 QFP93</p>
<p>LEYLAND</p> <p>Marina 1300, Apache Mini. All</p>	<p>1971-79 1965-83</p>	<p>QFP20 QFP20</p>
<p>MAZDA</p> <p>1300 Sedan 323 1300 1300, 1400 OHC Eng. 1.3, 1.5 GLC, SL, SLX, All FWD E3, E5 Eng.</p>	<p>1970-74 1977-78 1978-81 1981-88</p>	<p>EFP900 EFP900 EFP901 EFP902</p>

**M
A
Z
D
A**

EFP908



EFP909

Electric type
Similar to EFP903, but with higher pressure outputs for 1800, 2000cc. Provides up to 48-62kPa or 7-9PSI. Pushes 132.5 litres.



EFP1101



EFP1105

offset arm, 3 pipes



**M
E
R
C
E
D
E
S**

EFP1000



EFP1001



EFP1002



**M
I
T
S
U**

EFP1100

3 pipes



EFP1101

mounted upside down, offset arm



EFP1102



EFP1103

2 pipes



EFP1104



EFP1105

offset arm, 3 pipes



EFP1106



EFP1107



**N
I
S
S
A
N**

EFP1200



EFP1201



EFP1202





MAZDA

323 1.3, 1.5 E3, E5 Eng. Late models
 1.3, 1.5 Hatch, Sedan, B3, B5 Eng.
 130 Series B3 Eng.
 130 Midge B3 Eng.
 1500 Sport FWD E5 Eng.
 1.6GLX (Mitsubishi Eng.)
 1600 SL, Hatch, F6 Eng.
 160 Series, Hatch, Midge, Sting F6 Eng.
 2.0, SLE 2000 FE Eng.
 200E, 200EA FE Eng.
 616 Capella (Electric Pump)
 626 1600, 2000 F6, FE Eng.
 1600 F6 Eng.
 1.8 F8 Eng.
 2000 FE Eng.
 RX2, Capella Rotary Eng. (Electric Pump)
 B1600 LDV (Electric Pump)
 F6 4 CYL
 B1800
 B2000 LWD FE Eng.
 B2600, 4G54B (Mitsubishi Eng.)
 B3000 V6 (see page 6 for illustration)
 Drifter 1300 B3 Eng.
 1600 F6 Eng.
 Rustler 1300 B3 Eng.
 1400 CVH-F4A Eng.
 1400 CVH Eng.
 1.6 LX 1600 CVH Eng.
 1600 LX
 160 F6 Eng.

1986-88
 1988-90
 1991 on
 1995 on
 1983-88
 1979-81
 1989-91
 1991 on
 1989-91
 1991 on
 1971 on
 1983-87
 1988-89
 1989-92
 1988-92
 1972-79
 1971-89
 1986-91
 1991 on
 1986-91
 1988 on
 1986-94
 1994 on
 1993 on
 1994 on
 1986-90
 1990-93
 1986-89
 1990-94
 1993 on

EFP905
EFP907
EFP907
EFP907
EFP907
EFP902
EFP1101
EFP904
EFP904
EFP904
EFP904
EFP904
***EFP903 or 909**
EFP904
EFP904
EFP908
EFP904
***EFP903 or 909**
***EFP903 or 909**
EFP906
EFP906
EFP906
EFP1105
QFP86
EFP907
EFP904
EFP907
EFP601
EFP606
EFP601
EFP606
EFP904

MERCEDES

All Models (Lever Operated)
 All Models (Pushrod Operated)
 200 4cyl. W123 Series

1966-70
 1971-77
 1980-85

EFP1002
EFP1000
EFP1001

MINI

Canter 2600 4 cyl. 4G54 Eng.
 2600 4G54B Eng.
 Galant 1600
 2000 GLX (3 pipes)
 2000, 2600 4G52, 4G54 Eng. (2 pipes)
 Starwagon 1800, 2000 4G62, 4G62B, 4G63 Eng.
 L300 1600 4G32B Eng.
 Tredia 1400 4G12 Eng. 1800 4G62 Eng.
 1600 4G32 Eng.
 1800 SL & SLX, TURBO 1800, L300LDV

1983-87
 1988-94
 1979-83
 1977-84
 1978-84
 1984-94
 1982-85
 1983-86
 1983-86

EFP1103
EFP1105
EFP1101
EFP1100
EFP1103
EFP1102
EFP1107
EFP1104
EFP1106

**N
I
S
S
A
N**

EFP1203



EFP1204



EFP1205



EFP1206



EFP1207



EFP1208



EFP1209



EFP1210



EFP1211

mounted
upside down



EFP1212



EFP1213



EFP1214



EFP1215



EFP1216



EFP1217



**O
P
E
L**

EFP1300



EFP1301



EFP1302



**NISSAN**

1200 De Luxe, 1200 GX
LDV A12 Eng.

120Y, DL, SDX

140Y 1400 Eng.

1400 LDV,A14S Eng.

1600 De Luxe, SSS, L16 Eng.

J Series L16 Eng.

1800 GL Coupe, L18 Eng.
J Series L18 Eng.

200L 4 cyl.

240, 260, 300 C 6 cyl.

280L 6 cyl.

620 LDV L16, L18, L20 Eng.
J15 Eng.

680 LDV J15 Eng.

720 Series LDV L18S Eng.

1 Tonner 1600 L16S-J, 1800 L18S-R Eng.
2.4L Z24 Eng.

Caball H20 Eng.
H20 Eng.

Cabstar 6 Cyl. 2.8 petrol

E20 1600 J16 Eng.
1800 L18 Eng.
H20 Eng.

Laurel 2.0L L20B Eng.

Pulsar DL, GX 1400 A14 Eng.

Pulsar, Langley, Exa,E13 , E15 Eng.

Pulsar, Langley, Exa,E13 , E15 Eng.

Safari 4x4 2.8 petrol

Sani Tracker 2200 Z22 Eng.
2400 Z24 Eng.

Sentra 1.3 GL E13S Eng.
1.6 E16E, E16S Eng.
140, 160, 160GX GA14DS, GA16DS Eng.

Skyline 1.8, 2.0 GL, GLEX

Stanza 1600,1800L

1970-74
1971-80
1975-80
1975-80
1980 on
1969-80
1975-80
1971-80
1975-80
1978-90
1973-78
1978-87
1972 on
1973-79
1973-79
1980 on
1988 on
1988-95
1966-75
1976-80
1989-90
1973-81
1981-95
1970-80
1980-83
1980-83
1983-85
1985-88
1982-90
1985-88
1995 on
1987-92
1987-92
1992 on
1983-87
1980-83

EFP1200
EFP1202
EFP1202
EFP1201
EFP1204
EFP1215
EFP1203
EFP1215
EFP1203
EFP1216
EFP1216
EFP1216
EFP1213
EFP1206
EFP1211
EFP1203
EFP1203
EFP1209
EFP1212
EFP1217
EFP1216
EFP1211
EFP1203
EFP1207
EFP1210
EFP1204
EFP1205
EFP1208
EFP1216
EFP1209
EFP1209
EFP1208
EFP1208
EFP1214
EFP1203
EFP1203

OPEL

Ascona 1300 (Push Rod Type)
1600, GL, GLS
1600 FWD (Push Rod Type)
1.8GLS (Push Rod Type)

Astra 140, 140S
160

Commodore 2.8

Kadett 1300 (Push Rod Type)
140 CUB
140, 140S

1979-85
1982-87
1981-90
1984-87
1993 on
1993 on
1982-83
1979-85
1990-93
1993 on

EFP1301
EFP1300
EFP1302
EFP1302
EFP1302
EFP1302
EFP1300
EFP1301
EFP1302
EFP1302

**P
E
U
G
E
O
T**

EFP1400



**R
E
N
A
U
L
T**

EFP1500



EFP1501



EFP1502



**T
O
Y
O
T
A**

EFP1700



EFP1701



EFP1702



EFP1703



EFP1704



EFP1705

for 3 pipes used on later mdls. use EFP1729



EFP1706



EFP1707



EFP1708



EFP1709



EFP1710



EFP1711



EFP1712



EFP1713





<p>OPEL</p> <p>Kadett 1600 FWD 160 CUB 160 1.8GTE (Push Rod Type) “T” CAR 1.8GLX, GTE</p> <p>Manta 1600, 1900</p> <p>Monza 1.6GLS, CLS, 160 1800GLX, GLE 1.8 CLX, GLS, GL (Push Rod Type) 2.0 CLE, CLX (Push Rod Type)</p> <p>Rekord 2.0, 2.2 4 cyl.</p>	<p>1981-90 1990-93 1993 on 1984-85 1985-88 1971-76 1986-92 1986-90 1990-92 1990-92 1982-88</p>	<p>EFP1302 EFP1302 EFP1302 EFP1302 EFP1300 EFP1300 EFP1300 EFP1302 EFP1302 EFP1302 EFP1302</p>
<p>PEUGEOT</p> <p>204,304,305,404,504,505</p>	<p>1966-85</p>	<p>EFP1400</p>
<p>RENAULT</p> <p>R5, 5GTL, LS, TS R9 TL, GTL, TSE 1400 TXE 1700</p> <p>R11 TS 1400 TX, TXE 1700</p>	<p>1977-85 1983-86 1984-86 1983-86 1984-86</p>	<p>EFP1500 EFP1501 EFP1502 EFP1501 EFP1502</p>
<p>TOYOTA</p> <p>Avante GLE 1300, 1600 2A-L, 4A-L Eng.</p> <p>Corolla 1200 3K Eng. 1200 3K Eng. 1300 4K Eng. 1600 2T Eng. 1600 Panel Van 2T Eng. 1600 2TB Eng. 1800 3T Eng.</p> <p>Corolla Conquest 12 Valve 2E-LU Eng. 1300 GS, 12 Valve 2E Eng. 130 12 Valve 2E Eng. 1300,1600 2A-L, 4A-L Eng 1.6 16 Valve 4AF Eng.</p> <p>Corona 1600,1700,1900 6R,7R,8R Eng. MKI, MKII 18R Eng.</p> <p>Cressida 4 cyl. 18R Eng. GL,4 cyl. 21R Eng. GL,GLE 4 cyl. 21R Eng. 1800 3T Eng. 1.8 LS 4 cyl. 2Y Eng. 2.0 GL, GE, 21R Eng. 2.0L GL, S/WAGON 21R Eng. 2.0 GS 4 cyl. 3Y Eng.</p>	<p>1984-88 1974-77 1978-80 1980-85 1975-77 1983-89 1980-83 1979-85 1985-88 1988-92 1993 on 1984-88 1988-93 1969-72 1972-80 1977-81 1981-83 1984-85 1979-86 1986-89 1985-86 1986-87 1989-92</p>	<p>EFP1712 EFP1718 EFP1726 EFP1702 EFP1717 EFP1701 EFP1701 EFP1701 EFP1705 EFP1705 EFP1729 EFP1712 EFP1724 EFP1715 EFP1716 EFP1703 EFP1704 EFP1704 EFP1701 EFP1710 EFP1723 EFP1713 EFP1711</p>

**T
O
Y
O
T
A**

EFP1714



EFP1715



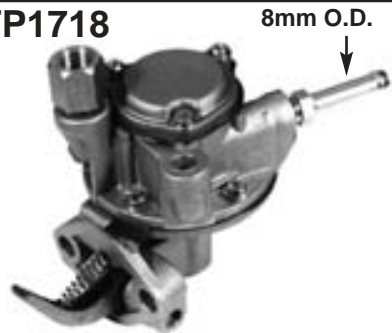
EFP1716



EFP1717



EFP1718



EFP1719



EFP1720



EFP1721

large body



EFP1722



EFP1723

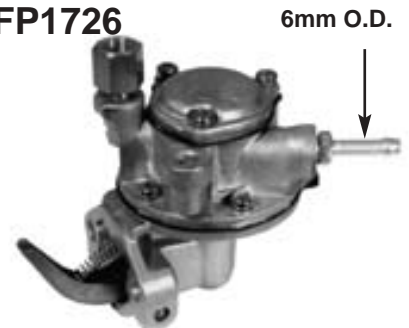


EFP1724



EFP1726

6mm O.D.



EFP1727



EFP1728



EFP1729

3 pipes



EFP1730



EFP1731



**V
W
A
G
E
N**

EFP200
generator type





TOYOTA

Cressida 2.4L GLE 22R Eng.	1987-92	EFP1713
Dyna 5R Eng.	1980-86	EFP1719
2000 3Y Eng.	1985 on	EFP1711
2.2 6-094 SERIES 4Y Eng.	1994 on	EFP1714
Hi Ace, Hi-Lux 2R Eng.	1973-75	EFP1700
Hi Ace, Hi-Lux 12R Eng.	1973-74	EFP1706
12R Eng.	1974-78	EFP1707
12R Eng.	1979-80	EFP1708
2000 18R Eng.	1975-79	EFP1703
2000 SR5 18R Eng	1980-84	EFP1709
(Super 10) 18R Eng.	1980-86	EFP1709
1600 1Y Eng.	1984-86	EFP1710
1800 SR 2Y Eng.	1984-89	EFP1710
2000 3Y Eng.	1984-87	EFP1711
SRX, GLX 2.2 4Y Eng.	1987-89	EFP1711
2200 4Y Eng.	1990 on	EFP1714
Hi-Lux Raider 2400 22R Eng.	1994 on	EFP1730
Landcruiser FJ Series	1968-72	EFP1727
2F Eng.	1974-77	EFP1728
2F Eng. 4.3 6 cyl.	1983-85	EFP1720
3F Eng. 4.0 6 cyl.	1985-87	EFP1721
DLX 3.9 3F Eng.	1988-94	EFP1731
Stallion 4 cyl. 5K Eng.	1986 on	EFP1722
SRE 1800 2Y Eng.	1995 on	EFP1714
Stout 5R Eng.	1980-86	EFP1719
TUV 1300 4K	1982-87	EFP1702
1.5	1986-92	EFP1722
Venture 1800, 2200 2Y, 4Y Eng.	1991 on	EFP1714

VOLKSWAGEN

1200,1300,1500, 1600 Eng. (Generator)	1951-71	EFP200
1300,1500,1600 (Alternator)	1972-79	EFP203
Citi Golf 1600, 1800 All Models	1989-95	EFP208
Fox 1300,1600	1987 on	EFP201
1.3,1.6,1.8	1988 on	EFP208
Golf 1100,1300 (Round Air Filter)	1978 on	EFP202
1300,1500,1600GTS	1978-87	EFP201*
II, CSL1600,CS,GTS,1800	1985-87	EFP201
1.3,1.6,1.8	1988 on	EFP208
III 1.6, 1.8 GS, GSX	1992 on	EFP208
Jetta 1500,1600	1980-88	EFP201
II CSL,1600,CSX,CLX,1800	1985-87	EFP201
1.3,1.6,1.8	1988 on	EFP208
III 1.6, 1.8 CSL,CLX,CSX	1992 on	EFP208
Kombi 1800, 2000	1974-83	EFP206
Microbus 1900	1983-89	EFP207
Passat 1300 (Round Air Filter)	1974-81	EFP202
* Golf 1300 with square air filter		

V
W
A
G
E
N

EFP201



EFP202



EFP203

alternator type



EFP204



EFP206



EFP207



EFP208

inlet pipe 8mm.
outlet pipe 6mm





VOLKSWAGEN

Passat 1300,1500,1600
1800 CL
1800 Station Wagon
2.2 5 cyl.

1974-87
1985-87
1985-87
1984-87

EFP201
EFP201
EFP201
EFP204

ELECTRIC FUEL PUMPS

EP20 12v

Takes 8mm hose,
0.3-0.5 bar pressure
Pushes 120-140 litres
per hour.
Comes complete with 8mm
60cm long hose
and all necessary fittings.
Maintenance free.
**Mount as close to fuel
tank as possible and not
in the engine. Not to be
used on fuel injection
vehicles.**



EP6018

12v Heavy Duty

Designed for V8
& Turbo Engines.
Takes 9.5mm hose,
0.3-0.5 bar pressure
Pushes 200 litres per
hour.
Piston type pump.
For carburetted
applications



EFP903 (40105)

Universal 12v
provides up to
17.2 - 31 kPa, or
2.5 - 4.5 PSI.
Pushes 113.6
litres per hour.
For carb. equipped
applications
only.



EFP909 (40107)

Universal 12v.
Similar appl. as
EFP903 but with
higher pressure
outputs for 1800,
2000cc.
Provides up to 48-
62 kPa, or 7 - 9
PSI. Pushes 132.5
litres per hour. For
carb. equipped
appl. only.



FP3

12v
Operates on car battery.
This pump is suited to install
on cars under 3000cc. engine
capacity.
Built in filter keeps dust out
and adds to pump and engine
life.
Pressure: kg/cm^2 0.30 \pm 0.03
Closed outlet lbs/inch^2 4.26 \pm 0.40
Volume: cc/min 1,500
Maximum outlet gal/min 0.40



FUEL FILTERS

2-98

DISCONTINUED



Paper fuel filter, fitted to Rochester Monojet
and Varajet carbs.

2-99

DISCONTINUED



Bronze fuel filter, fitted to Rochester Monojet
and Varajet carbs.

FP-3F



Paper fuel filter, fitted with FP3 electronic fuel
pump.

FUEL LINE HOSE

Continental

Low pressure hose with one textile braided jacket,
impregnated with lacquer.
Designed for 6 bar working pressure,
Available in 20 metre spools.
**All measurements shown are in mm unless
otherwise stated.**

Packed in 20M Reels

Part No.	Diameter
	I.D. wall
FLR3	3.5 x 2.0
FLR5	5.0 x 2.5
FLR6	6.0 x 2.5
FLR7	7.0 x 2.5
FLR8	8.0 x 2.5
FLR10	10.0 x 3.0
FLR12	12.0 x 2.5



UPDATES

BUYERS GUIDE

6837	Ford Fairmont 223 Eng. Ford F100	63-65 63 on	EFP202 (Round Filter Applications) VW Golf 1100,1300 VW Passat 1300	78 on 74-81
40018	Chev V8 327,348,409 Engines	58-66	EFP203 VW 1300,1500,1600 (Generator)	72-79
40446	Chev 4 cyl.130,153 Eng. Chev 6 cyl. 250 Eng. Chev Commodore 3.4, 4.1 Eng. Chev Firenza 2.5 Eng. Chev Rekord 2.3 Chev Senator 4.1	67 on 67 on 78-82 71-75 78-81 79-82	EFP204 Audi 100 Mdls 5cyl.. 200 GLX 5E,500 5cyl. VW Passat 2.2 5cyl.	78-89 84-87
40503	Chev V8 283,327,350 Eng.	67 on	EFP205 Audi Super 90 Audi 100, 100S,100L, 100LS Audi 100GL, GLS	68-72 72-77 73-78
40658	Chev Caprice 350 Eng. Chev Corvette 327 Eng. Chev Corvette 350 Eng. Chev Monaro 350 Eng.	68 on 68 on 69 on 68 on	EFP206 VW Kombi 1800,2000	74-83
40957	Ford F100 6 Cyl. 240	66-69	EFP207 VW Microbus 1900	83-89
41119	Ford Capri Perana 302 V8 Eng. Ford Fairlane 289,302 Eng. Ford V8 351 Windsor Eng.	71-73 66-68 70-73	EFP208 Audi 400 Series 4cyl.,1781cc VW Citi Golf 1600,1800 All Models VW Fox, Golf, Jetta 1.3,1.6,1.8 VW Golf III 1.6,1.8GS,GSX VW Jetta III 1.6,1.8CSL,CLX,CSX	89-91 89-95 88 on 92 on 92 on
41349	Ford F250 300 6 cyl. Eng. Ford F350 300 6 cyl. Eng.	72 on 74 on	EFP300 BMW 316 Series BMW 518,520 4cyl.	86-89 75-79
41449	Ford V8 351 Cleveland Eng.	68-73	EFP301 BMW 520 6cyl. M180 Eng.	79-82
42196	Chrysler Valiant, Rustler Dodge D100, D200	65 on 65 on	EFP400 Daihatsu Charade CX, CXL	83-85
EFP200	VW 1200,1300,1500,1600 (Generator)	51-71	EFP500 Fiat 128 1100,1300,128 Rally	71-84
EFP201 (Square Filter Applications)	Audi 80GL,1500 Audi GL,GLS 1600 Audi 400 Series 1781cc VW Fox 1300,1600 VW Golf 1300,1500,1600GTS VW Golf II,CSL 1600,CS,GTS,1800 VW Jetta 1500,1600 VW Jetta CSL, 1600,CSX,CLX,1800 VW Passat 1300,1500,1600 VW Passat CL, Stationwagon 1800	75-76 76-81 87-88 87 on 78-87 85-87 80-88 85-87 74-87 85-87	EFP501 Fiat Uno Fire 1100,P/van EFP502 Fiat Uno Pacer1400/Turbo EFP600 (41571) Ford F100, F250 240 6cyl. Eng. EFP601 Ford Bantam 1400 CVH Eng. Ford Bantam 1600 CVH Eng. Ford Cortina 2000 OHC Ford Escort 1300, 1600, XR3 FWD Ford Escort RS2000 Ford Granada 2000 Ford Sapphire 2000	90 on 90 on 70-72 86-89 85-89 72-80 83-86 78-80 78-85 89-93

BUYERS GUIDE

EFPP601			
Ford Sierra 2000		83-93	
Mazda Rustler, 1400 1600 CVH Eng.		86-89	
EFPP602 (90448)			
Ford Anglia 1000,1200		65-69	
Ford Bantam 1300 FWD		83 on	
Ford Capri 1600		69-73	
Ford Cortina 1200,1300,1500,1600		65 on	
Ford Cortina MkIII 1600		71-83	
Ford Escort 1000,1300, 1600		68-81	
Ford Sapphire 1.6		89-91	
Ford Sierra 1.6		83-91	
EFPP605			
Ford Sierra 2.3GLE		83-86	
EFPP606			
Ford Bantam 1400 CVH Eng.		90-94	
Ford Bantam 1600 CVH Eng.		90-93	
Ford Laser/Meteor 1400 CVH Eng.		90-92	
Ford Laser/Meteor 1600 GL & Sport CVH Eng.		89-92	
Mazda Rustler 1400 CVH Eng.		90-93	
Mazda Rustler 1600LX		90-94	
EFPP607			
Ford "D" Series & Thames		52 on	
EFPP700			
Honda Ballade 130,150 EV4/EW Eng.		86-88	
EFPP701			
Honda Ballade 1300 FWD		82-85	
EFPP702			
Honda Ballade 150 16v D1588 SOHC		89-92	
Honda Ballade 150 Encore, Luxline SOHC		94 on	
EFPP800			
Isuzu KB21,23,26,28,1600,1800,2000 G161Z,G180Z,G200Z Engines		82-89	
EFPP801			
Isuzu KB24,KB44,KB44LE,KB29 4ZD1		87-89	
Isuzu KB160 4ZA1 Eng.		89-94	
Isuzu KB200 4ZC1 Eng.		94 on	
Isuzu KB230 Mdl. 4ZD1 Eng.		89 on	
Isuzu KB260 Mdl. 4ZE1 Eng.		92 on	
EFPP900			
Mazda 1300, 323 1300		70-78	
EFPP901			
Mazda 323 1300,1400 OHC		78-81	
EFPP902			
Mazda 323 1.3,1.5 E3,E5 Eng. FWD		81-88	
Mazda 323 1500 Sport E5 Eng.		83-88	
EFPP903 (40105)			
Universal 12v Electric Fuel Pump provides up to 14-28 Kpa.			
Also fits the following Japanese carburettor equipped applications.			
Mazda 616, Capella (Electric Pump)			71 on
Mazda RX2 Capella Rotary Eng. (Elect.)			72-79
Mazda B1600 (Electric Pump)			71-89
EFPP904			
Ford Bantam 1600 F6 Eng.			93 on
Ford Courier 1600 F6 Eng.			86-87
Ford Courier 2000 FE Eng.			86-87
Mazda 323 1600 F6 Eng.			89-91
Mazda 160 Series, Hatch, Midge, Sting			91 on
Mazda 323 2.0L, 200E, 200EA FE Eng.			89 on
Mazda 626 1600,2000 FE, F6 Eng.			83-89
Mazda 626 2000 FE Eng. Later Mdl.			88-92
Mazda Drifter 1600 F6 Eng.			93 on
Mazda Rustler 160 F6 Eng.			93 on
EFPP905			
Ford Laser/Meteor 1.3 E3 Eng.			86-89
Ford Laser/Meteor 1.5 E5 Eng.			86-89
Mazda 323 1.3,1.5 E3, E5 Eng.			86-88
EFPP906			
Ford Bantam 1600 F6 Eng.			94 on
Ford Courier 1600 F6 Eng.			88-91
Ford Courier 2000 FE Eng.			88-91
Mazda B1600, F6 Eng.			86-91
Mazda B1800,			91 on
Mazda B2000 FE Eng.			86-91
EFPP907			
Ford Bantam 1300 B3 Eng.			93 on
Ford Laser/Meteor 1.3 Tracer			95 on
Mazda 323 1.3,1.5 B3,B5 Eng.			88-90
Mazda 323 130 Series B3 Eng. & Midge			91 on
Mazda Drifter 1300 B3 Eng.			94 on
Mazda Rustler 1300 B3 Eng.			94 on
EFPP908			
Mazda 626 1.8 F8 Eng.			89-92
EFPP909 (40107)			
Universal 12v Electric Fuel Pump			
Similar applications as EFP903 but with higher pressure outputs for 1800, 2000 cc, provides up to 48-62 Kpa.			
EFPP1000			
Mercedes All Models pushrod operated			71-77
EFPP1001			
Mercedes 200 4 cyl. W123 Series			80-85
EFPP1002			
Mercedes All Models (lever operated)			66-70

BUYERS GUIDE

EFP1100 Mitsubishi Galant 2000GLX	77-84	EFP1206 Nissan 620 J15 Eng.	73-79
EFP1101 Mazda 323 1.6GLX (Mitsubishi Eng.) Mitsubishi Galant 1600	79-81 79-83	EFP1207 Nissan E20 H20 Eng.	70-80
EFP1102 Colt 2.0L 4G63 Eng. Ford Husky 1800,2000 4G62, 4G63 Eng. Mitsubishi Tredia 1800, 2000 Turbo Mitsubishi Starwagon L300 4G62,4G63 Eng.	95 on 85-93 84-94 84-94	EFP1208 Nissan Pulsar, Langley, Exa E13,E15 Eng. Nissan Sentra 1.6, E16E, E16S Eng. Nissan Sentra 1.3GL E13S Eng.	85-88 87-92 87-92
EFP1103 Mitsubishi Galant 2000, 2600 4G52,4G54 Mitsubishi Canter 2600 4G54 Eng.	78-87 83-87	EFP1209 Nissan Tracker Sani 2.2 Z22 Eng., 2.4 Z24 Eng. Nissan 1 tonner 2.4 Z24 Eng.	85 on 88-95
EFP1104 Mitsubishi Tredia 1400 4G12 Eng. Mitsubishi Tredia 1800 4G62 Eng.	83-86 83-86	EFP1210 Nissan Laurel 2.0l L20B Eng.	80-83
EFP1105 Colt 2600 4x4 FWD Ford Triton 0510,0610 4G54 Eng. Mazda B2600 4G54 Eng. Mitsubishi Canter 2600 4G54B Eng.	95 on 85-94 88 on 88-94	EFP1211 Nissan 680 J15 Eng. Nissan E20 1600 J16 Eng. Mounted upside down	73-79 73-81
EFP1106 Mitsubishi Tredia 1600 4G32 Eng.	83-86	EFP1212 Nissan Caball H20 Eng.	66-75
EFP1107 Colt 1600 4G32 Eng. Mitsubishi Starwagon L300 1600 4G32B Eng.	95 on 82-85	EFP1213 Nissan 620 L16, L18, L20 Eng.	72 on
EFP1200 Nissan 1200	70-74	EFP1214 Nissan Sentra 1.4, 1.6 GA14DS,GA16DS Eng.	92 on
EFP1201 Nissan 140Y, 1400	75-80	EFP1215 Nissan 1600 De Luxe, SSS J16 Eng. Nissan 1800 GL Coupe L18 Eng.	69-80 71-80
EFP1202 Nissan 1200 LDV A12 Eng. Nissan 120Y,DL,SDX	71-80 75-80	EFP1216 Nissan 200L Nissan 240,260,300 6 Cyl. Nissan 280L Nissan Cabstar 2.8 Petrol 6 Cyl. Nissan Safari 2.8 Petrol	78-90 73-78 78-87 89-90 82-90
EFP1203 Nissan 1600, 1800 L16,L18 Eng. Nissan 720 L18S Eng. Nissan 1 Tonner 1600,1800 L16,L18 Eng. Nissan E20 L18 Eng. Nissan Skyline 1.8, 2.0 Nissan Stanza 1600, 1800	75-80 80 on 88 on 81-95 83-87 80-83	EFP1217 Nissan Caball H20 Eng.	76-80
EFP1204 Nissan 1400 A14S Eng, Nissan Pulsar 1400 A14 Eng.	80 on 80-83	EFP1300 Opel Ascona 1600 Opel Commodore 2.8 Opel Kadett "T" Car 1.8GLX,GTE Opel Manta 1600,1900 Opel Monza 1600,1800 Opel Rekord 2.0,2.2	82-87 82-83 85-88 71-76 86-92 82-88
EFP1205 Nissan Pulsar, Langley, Exa E13,E15 Eng.	83-85	EFP1301 Opel Ascona, Kadett 1300	79-85
		EFP1302 Opel Ascona, 1600,1800	81-90

BUYERS GUIDE

EFP1302 Opel Astra 140,160 Opel Kadett 140,1600,160,1.8GTE Opel Monza 1.8,2.0	93 on 81 on 90-92	EFP1711 Toyota Hi-Ace, Hi-Lux 2.2 4Y Eng.	87-89
EFP1400 Peugeot 204,304,305,404,504,505	66-85	EFP1712 Toyota Avante, Corolla GL, Conquest 1300 1600 2AL, 4AL Eng.	84-88
EFP1500 Renault R5 Mds.	77-85	EFP1713 Toyota Cressida 2.0GL 21R, 2.4L GLE 22R Eng	86-92
EFP1501 Renault R9,R11 1400 Eng.	83-86	EFP1714 Toyota Dyna 2.2 4Y Eng. Toyota Hi-Ace, Hi-Lux 2200 4Y Eng. Toyota Stallion 1800 2Y Eng. Toyota Venture 1800, 2200 2Y,4Y Eng.	94 on 90 on 95 on 91 on
EFP1502 Renault R9,R11 1700 Eng.	84-86	EFP1715 Toyota Corona 1600,1700,1900	69-72
EFP1700 Toyota Hi-lux, Hi-Ace 2R Eng.	73-75	EFP1716 Toyota Corona Mkl, MKII 18R Eng.	72-80
EFP1701 Toyota Corolla 1600, 1800 2TB, 3T Eng. Toyota Cressida 1800 3T Eng.	79-89 79-86	EFP1717 Toyota Corolla 1600 2TEng.	75-77
EFP1702 Toyota Corolla 1300, TUV 1300 4K Eng.	80-87	EFP1718 Toyota Corolla 1200 3K Eng.	74-77
EFP1703 Toyota Cressida 18R Eng. Toyota Hi-Lux 2000 18R	77-81 75-79	EFP1719 Toyota Dyna, Stout 5R Eng.	80-86
EFP1704 Toyota Cressida 21R Eng.	81-85	EFP1720 Toyota Landcruiser 2F Eng. 4.3 6 Cyl.	83-85
EFP1705 Toyota Corolla, Conquest 2E-LU 12 valve Toyota Corolla, Conquest 1300 2E 12 valve	85-88 88-92	EFP1721 Toyota Landcruiser 3F Eng.	85-87
EFP1706 Toyota Hi-Lux 12R Eng.	73-74	EFP1722 Toyota Stallion 5K Eng. Toyota TUV 1.5	86 on 86-92
EFP1707 Toyota Hi-Lux, Hi-Ace 12R Eng.	74-78	EFP1723 Toyota Cressida 2.0L 21R Eng.	85-86
EFP1708 Toyota Hi-Lux, Hi-Ace 12R Eng.	79-80	EFP1724 Toyota Corolla 1.6 16 valve 4AF Eng.	88-93
EFP1709 Toyota Hi Ace (Super 10) 18R Eng.	80-86	EFP1726 Toyota Corolla 1200 3K Eng.	78-80
EFP1710 Toyota Cressida 1.8 2Y Eng. Toyota Hi-Lux 1600 1Y Eng. Toyota Hi-Ace, Hi-Lux 2Y Eng.	86-89 84-86 84-89	EFP1727 Toyota Landcruiser FJ Series	68-72
EFP1711 Toyota Cressida 2.0 3Y Eng. Toyota Dyna 2000 3Y Eng. Toyota Hi-Ace, Hi-lux 2000 3Y Eng.	89-92 85 on 84-87	EFP1728 Toyota Landcruiser 2F Eng.	74-77
		EFP1729 Toyota Corolla, Conquest 130 12 valve 2E	93 on

BUYERS GUIDE

EFP1730

Toyota Hi-Lux, Raider 2400 22R Eng. 94 on

EFP1731

Toyota Landcruiser 3.9DLX 3F Eng. 88-94

QFP20

Leyland Marina 1300, Apache 71-79

Leyland Minis All 65-83

QFP86

Ford Capri 3000 V6 70-73

Ford Cortina 2500, 3000 V6 72-80

Ford Courier 3000 V6 86 on

Ford Granada 3000 V6 73-80

Ford Sapphire 3.0L 84-93

Ford Sierra 3000 Mdl. 84-93

Mazda B3000 V6 86-94

QFP93

Landrover 88, 209 2.25 Petrol 65-77

Landrover Series III 2.6 6 Cyl. 81-87

CROSS REFERENCE

<u>FEDERAL MOGUL</u>	<u>ECHLIN</u>	<u>FEDERAL MOGUL</u>	<u>ECHLIN</u>	<u>FEDERAL MOGUL</u>	<u>ECHLIN</u>
FP1001	40018	FP2040	EFP1713	FP862	EFP605
FP1003	40446	FP2041	EFP1724	FP863	EFP606
FP1004	40503	FP2042	EFP1731		
FP1008	EFP1300	FP2043	EFP1714	NPD	ECHLIN
FP1013	40658	FP2044	EFP1729	NFP1200	42196
FP1014	EFP1301	FP2045	EFP1730	NFP1300	EFP400
FP1015	EFP1302	FP2151	EFP200	NFP1505	EFP500
FP1017	EFP800	FP2152	EFP201	NFP1520	EFP501
FP1018	EFP801	FP2153	EFP202	NFP1525	EFP502
FP1019	EFP801	FP2154	EFP205	NFP1700	EFP1400
FP1250	QFP20	FP2155	EFP203	NFP1800	EFP1500
FP1350	EFP1002	FP2156	EFP204	NFP1805	EFP1501
FP1351	EFP1000	FP2157	EFP206	NFP1810	EFP1502
FP1353	EFP1001	FP2159	EFP208	NFP2005	EFP300
FP1550	EFP1400	FP2160	EFP207	NFP2015	EFP301
FP1800	42196	FP2302	EFP300	NFP3	FP3
FP1801	EFP900	FP2304	EFP301	NFP3F	FP3F
FP1802	EFP901	FP2751	EFP400	NFP3005	40446
FP1804	EFP1100	FP2800	EFP701	NFP3010	40018
FP1806	EFP1103	FP2801	EFP700	NFP3020	40503
FP1807	EFP1101	FP2802	EFP702	NFP3205	EFP800
FP1809	EFP902	FP2903	EFP1500	NFP3210	EFP801
FP1810	EFP903	FP2904	EFP1501	NFP3405	EFP1300
FP1812	EFP904	FP2905	EFP1502	NFP3415	EFP1301
FP1815	EFP905	FP2910	QFP93	NFP3420	EFP1302
FP1816	EFP1105	FP40107	EFP909	NFP4000	QFP20
FP1817	EFP906	FP501	EFP1215	NFP40107	EFP909
FP1820	EFP907	FP502	EFP1200	NFP4200	QFP93
FP1821	EFP907	FP503	EFP1201	NFP5000	EFP701
FP1822	EFP908	FP504	EFP1202	NFP5005	EFP700
FP1854	EFP1104	FP506	EFP1216	NFP5200	EFP1000
FP1855	EFP1106	FP507	EFP1203	NFP5205	EFP1001
FP1856	EFP1102	FP508	EFP1204	NFP6005	EFP1215
FP1857	EFP1107	FP509	EFP1210	NFP5210	EFP1002
FP2000	EFP1700	FP510	EFP1205	NFP6010	EFP1200
FP2001	EFP1715	FP550	EFP1206	NFP6015	EFP1201
FP2002	EFP1716	FP551	EFP1207	NFP6020	EFP1202
FP2003	EFP1717	FP552	EFP1211	NFP6025	EFP1216
FP2006	EFP1701	FP553	EFP1212	NFP6030	EFP1203
FP2007	EFP1726	FP554	EFP1217	NFP6035	EFP1204
FP2008	EFP1702	FP555	EFP1213	NFP6040	EFP1210
FP2009	EFP1703	FP557	EFP1208	NFP6045	EFP1205
FP2011	EFP1704	FP558	EFP1214	NFP6050	EFP1206
FP2012	EFP1705	FP559	EFP1209	NFP6055	EFP1207
FP2020	EFP1718	FP560	EFP1209	NFP6060	EFP1211
FP2022	EFP1706	FP752	EFP500	NFP6065	EFP1212
FP2023	EFP1707	FP758	EFP501	NFP6070	EFP1217
FP2024	EFP1708	FP759	EFP502	NFP6075	EFP1213
FP2026	EFP1709	FP850	6837	NFP6080	EFP1208
FP2028	EFP1719	FP851	40957	NFP6085	EFP1209
FP2030	EFP1727	FP852	EFP600 (41571)	NFP7000	EFP601
FP2031	EFP1728	FP853	41119	NFP7010	EFP602 (90448)
FP2033	EFP1710	FP854	41449	NFP7015	QFP86
FP2034	EFP1711	FP855	41119	NFP7020	EFP605
FP2035	EFP1712	FP856	41349	NFP7025	6837
FP2036	EFP1720	FP857	EFP601	NFP7030	40957
FP2037	EFP1721	FP859	EFP602 (90448)	NFP7035	EFP600 (41571)
FP2038	EFP1722	FP860	QFP86	NFP7040	41119
FP2039	EFP1723	FP861	EFP607		

CROSS REFERENCE

NPD	ECHLIN	NPD	ECHLIN
NFP7045	41449	NFP9235	EFP207
NFP7050	41119	NFP9240	EFP204
NFP7055	41349	NFP9245	EFP206
NFP7060	EFP607	----	40658
NFP7065	EFP606	----	EFP1729
NFP7200	EFP900	----	EFP1730
NFP7205	EFP901	----	EFP702
NFP7210	EFP902	----	EFP1214
NFP7215	EFP903		
NFP7220	EFP904		
NFP7220	EFP906		
NFP7225	EFP905		
NFP7230	EFP1105		
NFP7255	EFP907		
NFP7265	EFP907		
NFP7270	EFP908		
NFP7405	EFP1100		
NFP7410	EFP1101		
NFP7415	EFP1103		
NFP7420	EFP1101		
NFP7430	EFP1104		
NFP7435	EFP1106		
NFP7440	EFP1102		
NFP7445	EFP1107		
NFP8005	EFP1715		
NFP8010	EFP1716		
NFP8015	EFP1717		
NFP8030	EFP1701		
NFP8035	EFP1718		
NFP8035	EFP1726		
NFP8040	EFP1702		
NFP8045	EFP1703		
NFP8050	EFP1704		
NFP8055	EFP1705		
NFP8070	EFP1706		
NFP8075	EFP1700		
NFP8075	EFP1707		
NFP8080	EFP1708		
NFP8090	EFP1709		
NFP8100	EFP1719		
NFP8110	EFP1727		
NFP8115	EFP1728		
NFP8125	EFP1710		
NFP8130	EFP1711		
NFP8135	EFP1712		
NFP8140	EFP1720		
NFP8145	EFP1721		
NFP8150	EFP1722		
NFP8160	EFP1724		
NFP8165	EFP1713		
NFP8165	EFP1723		
NFP8170	EFP1714		
NFP8175	EFP1731		
NFP9005	EFP205		
NFP9200	EFP200		
NFP9205	EFP202		
NFP9210	EFP203		
NFP9225	EFP208		
NFP9230	EFP201		