

## Winch Mounting Systems

The Endurance 12.0 has the same mounting bolt pattern as other WARN mid-frame winches. To find the right mounting system for your vehicle, call WARN customer service for the latest applications, or check out our Web site: [www.warn.com](http://www.warn.com)

## Accessories

### Wireless Winch Control

OPERATE YOUR WINCH WITH NO STRINGS (OR WIRES) ATTACHED

- Operate your truck's winch remotely from up to 50' away.
- The system will work with any WARN winch with a 5 wire electrical system.
- For easy installation, the Wireless Control System comes with a receiver with an internal antenna and all of the necessary mounting hardware is included.
- Weather-resistant transmitter has two large buttons that make it easy to operate, even while wearing gloves, and its two-color LED provides operator feedback.



PN 76080

### Heavy-Duty Winch Accessory Kit

FOR HEAVY-DUTY WORK (24,000 LBS.), THIS IS WHAT TO CARRY. ALWAYS.

- Includes snatch block, tree protector, shackle, gloves, choker chain, and 3" x 30' recovery strap.
- Includes a compact camouflage soft case.



PN 29460 (Camouflage)

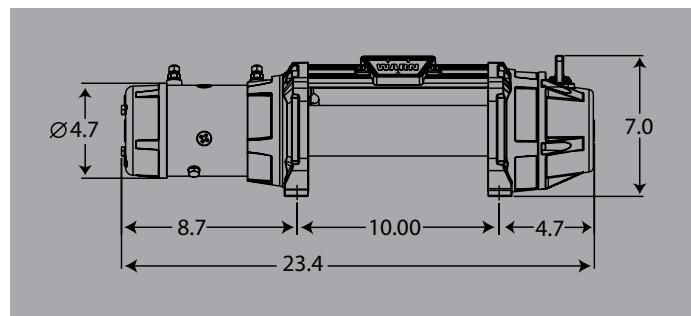


## Performance Specs

| Line Pull<br>Lbs. (kg) | Line Speed<br>ft./min. (m/min) | Motor<br>Current | Pull by Layer<br>layer/lbs. (kg) |
|------------------------|--------------------------------|------------------|----------------------------------|
| 0                      | 39.5 (12.0)                    | 47.8 amps        | 1/12,000 (5440)                  |
| 2000 (910)             | 15.1 (4.60)                    | 127.0 amps       | 2/9517 (4317)                    |
| 4000 (1810)            | 10.4 (3.17)                    | 192.0 amps       | 3/7886 (3577)                    |
| 6000 (2720)            | 7.7 (2.35)                     | 257.0 amps       | 4/6732 (3054)                    |
| 8000 (3630)            | 6.1 (1.86)                     | 316.0 amps       |                                  |
| 9500 (4310)            | 4.8 (1.46)                     | 358.0 amps       |                                  |
| 12000 (5440)           | 3.4 (1.04)                     | 429.0 amps       |                                  |

## Specifications/Part Numbers

|                              |   |
|------------------------------|---|
| Part Number .....            | <b>73010</b>                            |
| Rated line pull: .....       | 12,000 lbs. (5440 kg)                   |
| Motor: .....                 | Series-Wound 4.6 hp 12V                 |
| Remote Control: .....        | Remote switch, 12' (3.7m) lead          |
| Geartrain: .....             | 3-stage planetary                       |
| Gear Ratio: .....            | 216:1                                   |
| Clutch (freespooling): ..... | Sliding ring gear                       |
| Brake: .....                 | Mechanical cone brake                   |
| Drum diameter/Length: .....  | 2.5" diam./9" length<br>(6.4cm/22.9 cm) |
| Wire Rope: .....             | 80' of 3/8"<br>(24m of 9.5mm diam.)     |
| Fairlead: .....              | Roller                                  |
| Recommended Battery: .....   | 650 CCA minimum for winching            |
| Battery Leads: .....         | 2 gauge, 72" (1.83m)                    |
| Finish: .....                | High-gloss black powdercoat             |
| Nuts/Bolts: .....            | PN 39625                                |



### WARN INDUSTRIES, INC.

12900 S.E. Capps Road  
Clackamas, OR USA 97015-8903

Customer Service: 800-543-9276  
Fax: 503-722-3000  
International Sales Support: 503-722-3008  
International Fax: 503-722-3005

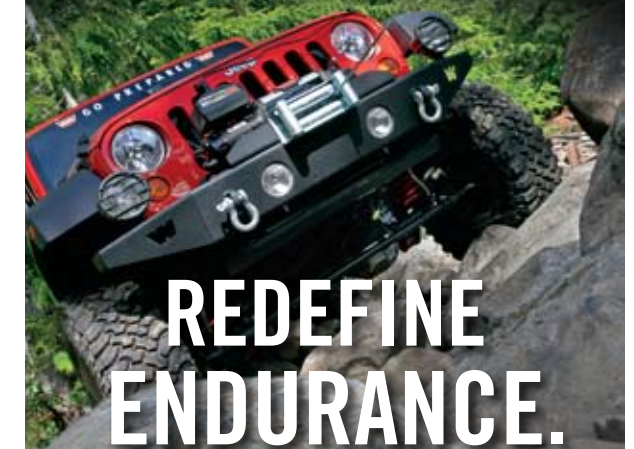
[www.warn.com](http://www.warn.com)

© 2008 Warn Industries, Inc. WARN® and the WARN logo are trademarks of Warn Industries, Inc.

ENDURANCE 12.0 WINCH



REDEFINE POWER.  
REDEFINE SPEED.



REDEFINE  
ENDURANCE.



12,000 pounds of pulling power.  
0 pounds of quit.

# THE WARN ENDURANCE 12.0 A NEW WAY TO KEEP YOUR COOL WHILE WINCHING.



Once again, Warn Industries is set to revolutionize the winch world. We've developed a product with more stamina than any other winch of its kind. More power. More speed. More endurance. This is no ordinary winch: This is the WARN® Endurance 12.0. This winch gives you 12,000 lbs. of pulling capacity with an increased duty cycle – the secret is its innovative cooling system.

Here's how it works: The specially designed cooling fan (which is mounted under the vehicle's hood) automatically turns on when the winch's motor reaches a certain temperature. The fan forces air through a hose and directly into the winch's motor housing, cooling the motor. The air then flows out of the motor housing via a second hose and is discharged.

## The Endurance 12.0 has other outstanding features including:

- Heavy-duty contactor for increased durability and reliability
- High-speed, three-stage planetary geartrain for fast, smooth, and dependable operation
- Durable glossy-black powder-coated finish for good looks and corrosion resistance
- Stainless-steel clutch lever and hardware for protection against the elements
- Extreme-duty winch sealing to keep the elements out
- Limited lifetime warranty backed by a world-wide service organization.

When you want a winch that'll really go the distance, you want a winch with serious endurance: The WARN Endurance 12.0

**AIR INPUT AND OUTPUT:** Cool air is forced into the winch using the remote-mounted fan. This cools the motor for increased performance. Warm air then exits the winch via an output hose.

**REMOTE-MOUNT CONTROL BOX:** Designed to fit most winch-mount bumpers

**CONTACTOR:** Sealed and water resistant. Highly reliable; handles high current and allows for long duty cycle.

**SERIES-WOUND MOTOR:** Heavy-duty 4.6 hp motor delivers plenty of winching power

**REMOTE-MOUNT FAN:** Cools winch motor for longer duty cycle. Fan has automatic or manual activation.

**WINCH SEALING:** Provides superior water resistance

**MECHANICAL BRAKE:** Industry-leading brake design

**LONG WIRE ROPE:** 80' of 3/8" durable, easy-to-wind wire rope

**FAN ACTIVATION SWITCH:** Allows for manual override of cooling fan

**STAINLESS STEEL CLUTCH LEVER AND HARDWARE**

**3-STAGE PLANETARY GEARTRAIN:** Most reliable and efficient gear reduction system available

**REMOTE CONTROL:** Weather-resistant remote with 12' lead